

# PRODUCT INFORMATION PACKET

Model No: 365TTFC6683

Catalog No: Y840A

50 HP Definite Purpose AC Motor, 3 phase, 1200 RPM, 230/460 V, 365T Frame, TEFC  
Other Purpose Motors



Regal and Marathon are trademarks of Regal Beloit Corporation or one of its affiliated companies.  
©2020 Regal Beloit Corporation, All Rights Reserved. MC017097E

**REGAL**

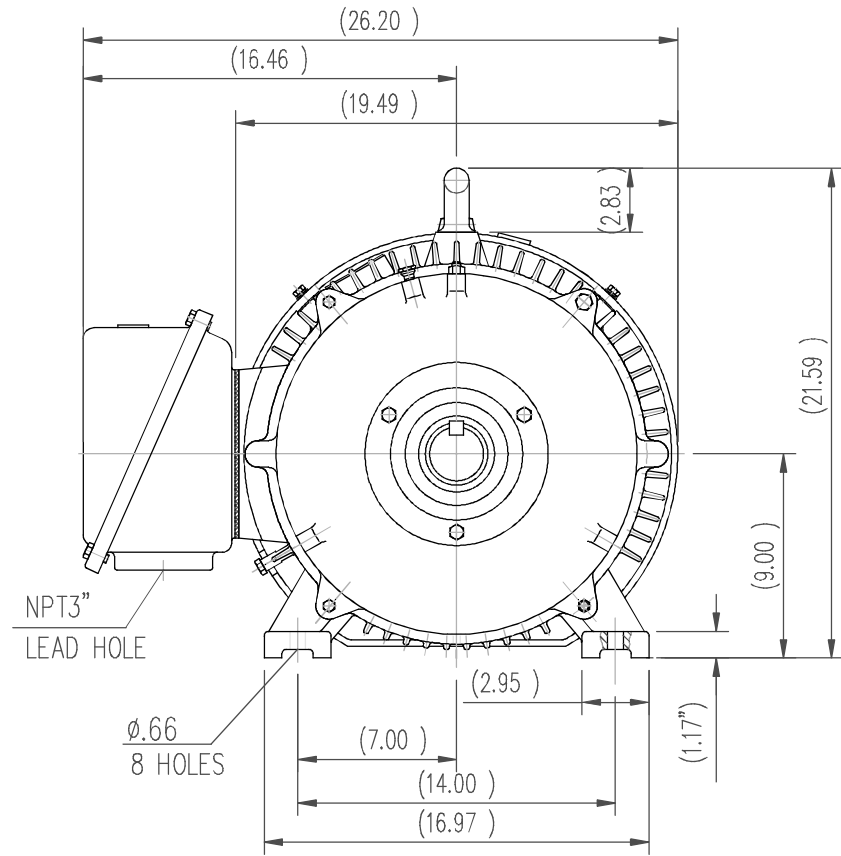
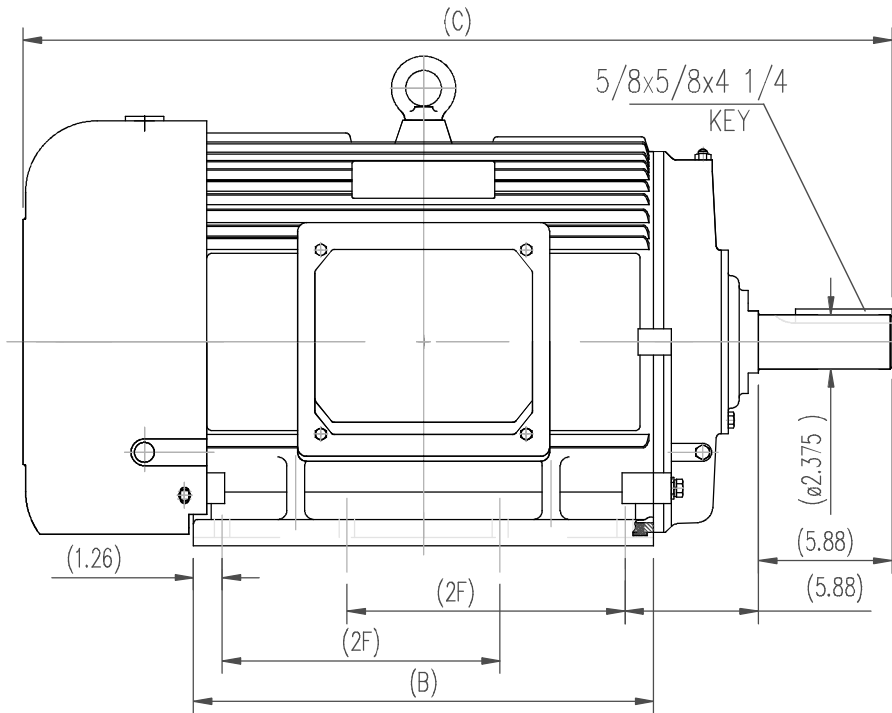
### Nameplate Specifications

Output HP	50 Hp	Output KW	37.0 kW
Frequency	60 Hz	Voltage	230/460 V
Current	120.0/60.0 A	Speed	1188 rpm
Service Factor	1.15	Phase	3
Efficiency	94.1 %	Power Factor	82
Duty	Continuous	Insulation Class	F
Design Code	C	KVA Code	G
Frame	365T	Enclosure	Totally Enclosed Fan Cooled
Thermal Protection	No	Ambient Temperature	40 °C
Drive End Bearing Size	NU314	Opp Drive End Bearing Size	6313
UL	Recognized	CSA	Y
CE	Y	IP Code	55

### Technical Specifications

Electrical Type	Squirrel Cage Inverter Rated	Starting Method	Part Wdg Start Low Volt Only & Wye Start Delta Run Or Inverter
Poles	6	Rotation	Reversible
Resistance Main	.12 Ohms	Mounting	Rigid base
Motor Orientation	Horizontal	Drive End Bearing	Roller
Opp Drive End Bearing	Ball	Frame Material	Cast Iron
Shaft Type	T	Overall Length	38.39 in
Shaft Diameter	2.375 in	Shaft Extension	5.88 in
Assembly/Box Mounting	F1/F2 CAPABLE		
Connection Drawing	EE7308AA	Outline Drawing	SS620611-365T

This is an uncontrolled document once printed or downloaded and is subject to change without notice. Date Created:10/06/2020



364T	36.61	18.5	11.25
365T	38.39	20.28	12.25
Frame	C	B	2F

		TOLERANCES UNLESS SPECIFIED		REGAL REGAL-BELOIT CORPORATION		DRAWN ZOU 7.17.2012	
		DEC.	INCHES			CHK	
		.X	±.1			APPD	
		.XX	±.03	TITLE		SCALE 1=1	
		.XXX	±.005	364/365T TEFC-SEVERE DUTY		REF	
		.XXXX	±.0005	MAT'L.		FMF	
NO.	REVISION	BY & DATE	CHK	ANG	FINISH	PREV	
THIS DRAWING IN DESIGN AND DETAIL IS OUR PROPERTY AND MUST NOT BE USED EXCEPT IN CONNECTION WITH OUR WORK ALL RIGHTS OF DESIGN AND INVENTION ARE RESERVED THIS IS AN ELECTRONICALLY GENERATED DOCUMENT - DO NOT SCALE THIS PRINT				RFP	CAD FILE	SS620611	SIZE
				DIST			DRAWING NO.
							SS620611
							REV.



### LOW VOLTAGE

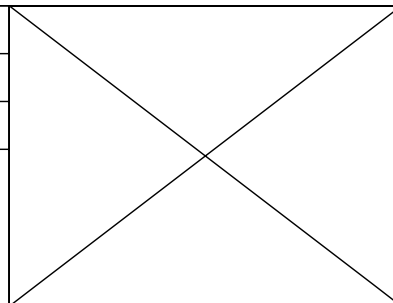


### HIGH VOLTAGE



### VIEW OF TERMINAL END

DRAWING REVISION <b>K</b>	REVISION BY <b>AJW</b>	DATE <b>07-17-2015</b>
ECO <b>ECO-0081632</b>	APPROVED BY <b>T. VUE</b>	DATE <b>07-17-2015</b>
ECO DESCRIPTION <b>REV'D IEC MARKINGS PER IEC 60034-8</b>		
<small>COPYRIGHT REGAL BELOIT AMERICA, INC. ALL RIGHTS RESERVED.          PROPRIETARY AND CONFIDENTIAL INFORMATION - THIS DOCUMENT IS THE PROPERTY OF          REGAL BELOIT AMERICA, INC. ("OWNER") AND CONTAINS OWNER'S PROPRIETARY          INFORMATION. ANY PERSON, CORPORATION OR OTHER FIRM RECEIVING IT IS DEEMED,          BY RECEIVING IT, TO AGREE THAT IT, AND/OR ANY PART OF IT, SHALL NOT BE DISCLOSED          TO ANY PERSON, CORPORATION OR OTHER ENTITY, DUPLICATED, AND/OR USED, EXCEPT          AS EXPRESSLY APPROVED IN WRITING IN ADVANCE BY OWNER. THIS DOCUMENT SHALL          BE RETURNED TO OWNER UPON REQUEST. IT MAY BE SUBJECT TO CERTAIN          RESTRICTIONS UNDER APPLICABLE EXPORT CONTROL LAWS AND REGULATIONS.</small>		



DRAWN BY <b>LZ</b>	<b>Regal Beloit America, Inc.</b>	
DATE <b>01-12-1994</b>		
APPROVED BY <b>GK</b>	<b>DESCRIPTION</b> <b>CONN DIAGRAM-EXTERNAL</b> <b>3Ø-2/1 DELTA-12 LEADS</b>	
DATE <b>01-14-1994</b>		
REFERENCE	MATERIAL	PROCESS/FINISH
THIRD ANGLE PROJECTION	SIZE <b>A</b>	DRAWING NUMBER <b>EE7308AA</b>
		SHEET <b>1 OF 1</b>



\*\* Subject to change without notice.

Data Sheet

Date: 19-06-2017  
 Customer: \_\_\_\_\_  
 Attention: \_\_\_\_\_  
 Submitted by: FAREEDA DUDEKULA



365TTFC6683

Submittal

Data @ 460 V

Motor Load Data

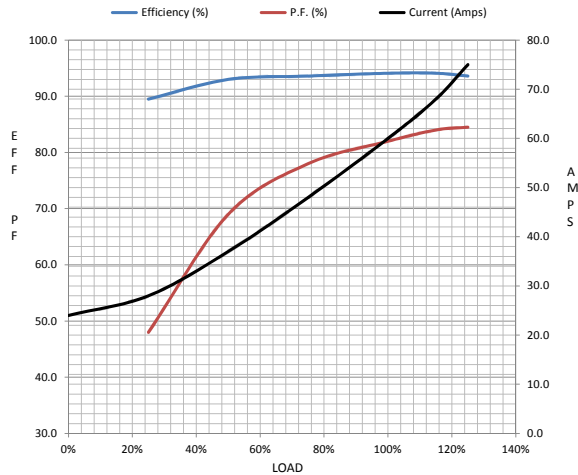
Load	0%	25%	50%	75%	100%	115%	125%	LR
Current (Amps)	24.0	28.0	37.0	48.0	60.0	68.0	75.0	362
Torque (ft-lb)	0.00	55.0	110	165	221	255	277	480
RPM	1200	1196	1194	1190	1188	1,185	1182	0
Efficiency (%)		89.5	93.0	93.6	94.1	94.1	93.6	
P.F. (%)	5.0	48.0	69.0	78.0	82.0	84.0	84.5	37.0

Motor Speed Data

	LR	Pull-Up	BD	Rated	Idle
Speed (RPM)	0	600	1150	1188	1200
Current (Amps)	362	325	210	60.0	24.0
Torque (ft-lb)	480	350	550	221	0.00

Information Block

HP	50.0			
Sync. RPM	1200			
Frame	365			
Enclosure	TEFC			
Construction	TFC			
Voltage	30/460#190/38V			
Frequency	60 Hz			
Design	B			
LR Code letter	G			
Service Factor	1.15			
Temp Rise @ FL	75 ° C			
Duty	CONT			
Ambient	40 ° C			
Elevation	1,000 feet			
Rotor/Shaft wk <sup>2</sup>	27.5 Lb-Ft <sup>2</sup>			
Ref Wdg	CHT36560005 NONE			
Sound Pressure @ 1M	68 dBA			
VFD Rating	CONSTANT 10:1			
Outline Dwg	SS620611			
Conn. Diag	EE7308AA			
Additional Specifications:				
0				
365THFS8036				
EQUIV CKT (OHMS / PHASE)				
R1	R2	X1	X2	Xm
0.0820	0.0480	0.3350	0.6920	11.1190



Speed -Torque Curve

